

SPIN

AUTOMATIC ROTATING- ARM STRETCH WRAPPER



DESCRIPTION

The SPIN fully automatic stretch film wrapping machine is the most modern and fastest wrapper in the range. The SPIN includes interlocked safety fences bolted to the frame for maximum operator safety.

The unit integrates with unpowered roller conveyors for the in-feed and out-feed of palletised loads. Because this type of stretch wrapper uses a rotating arm to apply the film, the load remains steady and stable during wrapping.

The SPIN features an LCD display where all necessary wrapping parameters may be programmed, and the machine status can be checked. As the control cabinet is structurally integrated, it offers easy access without need to enter the working area.

The SPIN can automate the wrapping process from start to finish.

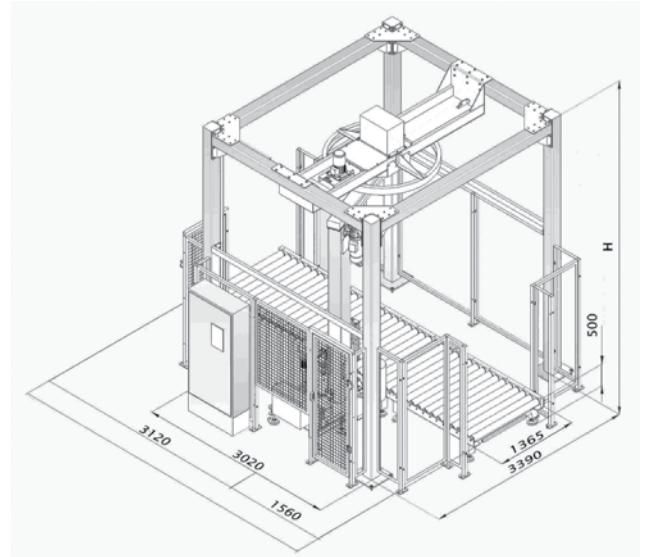
FEATURES

- Powered Roller Conveyors for In-feed and Out-feed
- Interfacing to Powered In-feed and Out-feed Conveyors
- Suitable for all Types of Stretching Film
- Different Wrapping Modes and Programs Set Through LCD Control Display
- Powered Film Pre-Stretching (Fixed Ratio Type: Supplied with Four Sets of Gears)
- Soft Start and Adjustable Turntable Speed
- Soft Start and Adjustable Carriage Speed
- Interlocked Safety Fences Fitted with Muting Light Curtains
- Obstacle Detection for Rotating Arm
- Automatic Film Gripper and Cutting Arm
- Hot Wire Film Cutting System
- Siemens S7-200 PLC Control
- Harmonics Suppressor Line Filter
- Automatic Pallet Height Detection by Photocell
- 2,400mm and 2,900mm High Models Available

SPECIFICATIONS

- Maximum Pallet Height: 2,400mm
- Maximum Pallet Size: 1,200mm x 1,200mm
- Maximum Pallet Weight: 1,500kg
- Power Required: 380VAC or 220VAC
- Maximum Power Consumption: 4kW
- Pneumatic Air Pressure: 6 bar
- Air Consumption: 6 litres/minute
- Roller Conveyor Speed: Up to 11.5m/minute
- Output: Up to 70 pallets/hour (Under Suitable Conditions)

DIMENSIONS



OPTIONS

- Powered Top Platen to Stabilize Load
- Film Tail Hot Seal (with or without Dolly or Linear).
- Chain Conveyors
- In-feed and Out-Feed Conveyors
- Sliding Knife Film Cutting Device
- Different Load Sizes
- In-feed/Out-feed Powered Roller Conveyors: 1500mm Length x 1300mm Width
- Turntable for 90° Configuration